

HOLLYVOX

Hollyvox G51

Quick Guide

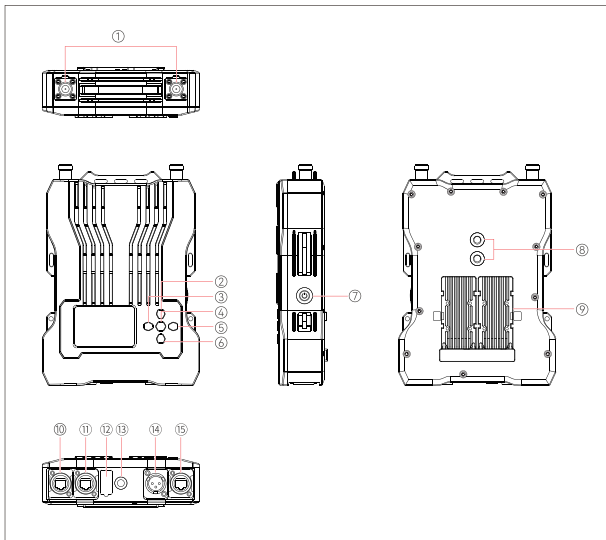
V1.0

Introduction

Thank you for purchasing the Hollyvox G51 full-duplex ENC wireless intercom system. Please read this Quick Guide carefully before using the product.

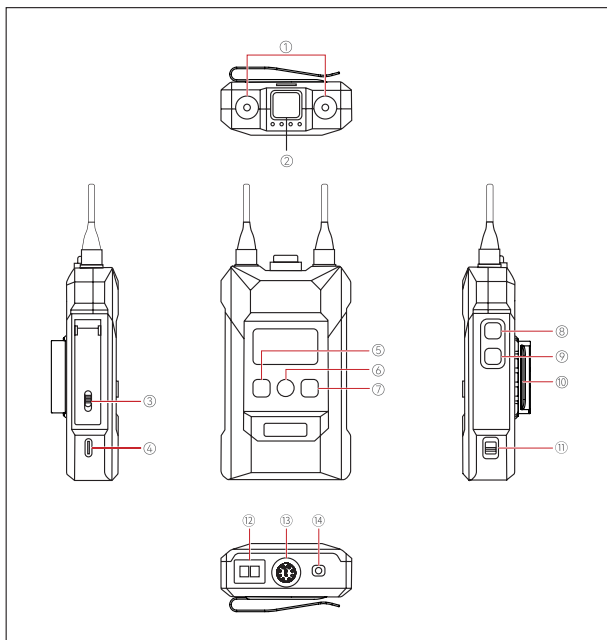
Key Features

- Dual-mic Environmental Noise Cancellation (ENC), ensuring high-quality communication in loud environments
- 1,300ft (400m) line-of-sight (LOS) range
- 1.9GHz frequency band with 8 working modes, meeting the frequency configuration requirements in different countries or regions
- Automatic switch between the external omnidirectional fiberglass antennas and the built-in panel antennas
- Full-duplex wireless communication, allowing up to eight beltpack users to talk with each other simply with one base station
- Configuration and upgrade supported through the base station, app, and web server
- Three-group communication capability between beltpack users
- Cascade between multiple base stations & connection between the base station and 2- and 4-wire audio systems
- Power supply to the base station using POE or NP-F batteries
- Built-in replaceable lithium polymer battery for the beltpack, with an operating time of up to 6 hours
- Portable charging base for uninterrupted on-the-go communication
- 10 levels of volume control, meeting different application requirements



Base Station

- ① Antenna Interface
- ② Up Button
- ③ Left Button
- ④ Menu/Confirmation Button (Press and hold the button to enter the menu interface/
Press the button for confirmation.)
- ⑤ Right Button
- ⑥ Down Button
- ⑦ Power Button
- ⑧ 3/8 Screw Hole
- ⑨ NP-F Battery Slot
- ⑩ Power Supply Interface
- ⑪ 4-Wire Audio Input & Output Interface (RJ45)
- ⑫ USB Interface
- ⑬ 3/8 Screw Hole
- ⑭ 2-Wire Audio Input & Output Interface
- ⑮ POE Interface



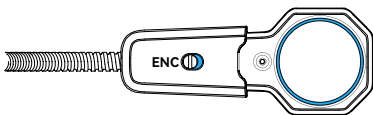
Belpack

- ① Antenna Interface
- ② TALK Button (Press the button to talk/Release the button to enter the mute mode.)
- ③ Battery Compartment Switch
- ④ USB-C Interface
- ⑤ Left/Group A Button (The belpack user is not grouped when the indicator light is off; the belpack user is in group A but cannot talk with or hear other belpack users in the group when the indicator light is white; the belpack user is in group A and can talk with and hear other belpack users in the group when the indicator light is orange.)
- ⑥ Confirmation/Group B Button (The belpack user is not grouped when the indicator light is off; the belpack user is in group B but cannot talk with or hear other belpack users in the group when the indicator light is white; the belpack user is in group B and can talk with and hear other belpack users in the group when the indicator light is orange.)
- ⑦ Right/Group C Button (The belpack user is not grouped when the indicator light is off; the belpack user is in group C but cannot talk with or hear other belpack users in the group when the indicator light is white; the belpack user is in group C and can talk with and hear other belpack users in the group when the indicator light is orange.)
- ⑧ Volume + Button
- ⑨ Volume - Button
- ⑩ Back Clip
- ⑪ Power Switch
- ⑫ Charging Contact
- ⑬ 0B10 Headset Interface
- ⑭ 3.5mm Headset Interface

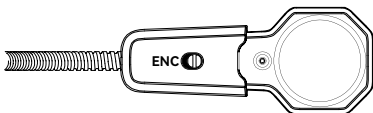
Operation Instructions

ENC Function

1. There is an ENC switch on the microphone boom of the backpack headset.
2. When the switch is pushed to the ENC position, the ENC function is enabled, and the microphone boom indicator turns on in steady blue.



When the switch is pushed away from the ENC position, the ENC function is disabled, and the microphone boom indicator turns off.



For more detailed operation instructions, please scan the following QR code.



Specifications

	Base Station	Beltpack
Interface	POE interface (RJ45) Power supply interface (RJ45) 4-wire audio interface 2-wire audio interface USB interface	3.5mm headset interface OB10 headset interface USB-C interface
Power Supply	POE power supply NP-F battery	1500mAh lithium polymer battery
Frequency Response	150 Hz–7 kHz	ENC OFF: 200 Hz–7 kHz (fluctuation range: ± 6 dB) ENC ON: 200 Hz–7 kHz (fluctuation range: ± 10 dB)
Signal-to-Noise Ratio	> 55dB	60dB \pm 2
Distortion	< 1%	< 1%
LOS Range	1,300ft (400m)	1,300ft (400m)
Frequency Band	1.9GHz	1.9GHz
Modulation Mode	GFSK	GFSK
TX Power	< 21dBm	< 21dBm
RX Sensitivity	≤ -93 dBm	≤ -93 dBm
Bandwidth	1.728MHz	1.728MHz
Power Consumption	< 3W	< 0.65W
Dimensions	(L x W x H): 255.5mm x 180.4mm x 48.5mm (10" x 7.1" x 1.9")	(L x W x H): 105mm x 65mm x 22.4mm (4.13" x 2.56" x 0.88")
Net Weight	Approx. 1560g (55oz)	Approx. 200g (7oz)
ENC Level	/	20dB
Temperature Range	0°C to 45°C (working condition) -20°C to 60°C (storage condition)	0°C to 45°C (working condition) -20°C to 60°C (storage condition)

Safety Precautions

Do not place the product near or inside heating devices (including but not limited to microwave ovens, induction cookers, electric ovens, electric heaters, pressure cookers, water heaters, and gas stoves) to prevent the battery from overheating and exploding. Please use the original adapter, cable, and battery. The use of non-original adapters, cables, or batteries may cause electric shock, fire, explosion, or other dangers.

If you encounter any problems in using the product or need any help, please contact Hollyvox Support Team via the following ways:

 [hollyvox.global](https://www.facebook.com/hollyvox.global)

 [hollyvox.global](https://www.instagram.com/hollyvox.global)

 [hollyvox.global](https://www.youtube.com/hollyvox.global)

 [hollyvoxglobal](https://www.linkedin.com/company/hollyvoxglobal)

 support@Hollyvox.com

 www.hollyvox.com

Statement

All copyrights belong to Shenzhen Hollyland Technology Co., Ltd. Without the written approval of Shenzhen Hollyland Technology Co., Ltd., no organization or individual may copy or reproduce part or all of any written or illustrative content and disseminate it in any form.

Trademark Statement

All the trademarks are owned by Shenzhen Hollyland Technology Co., Ltd.

Note:

Due to product version upgrades or other reasons, this Quick Guide will be updated from time to time. Unless otherwise agreed, this document is provided as a guide for use only. All representations, information, and recommendations in this document do not constitute warranties of any kind, express, or implied.